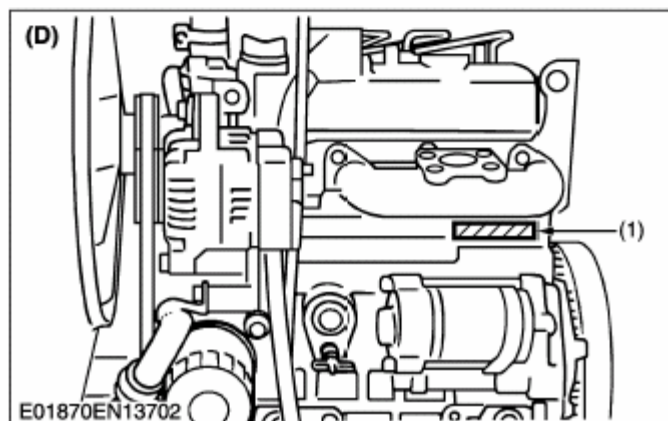
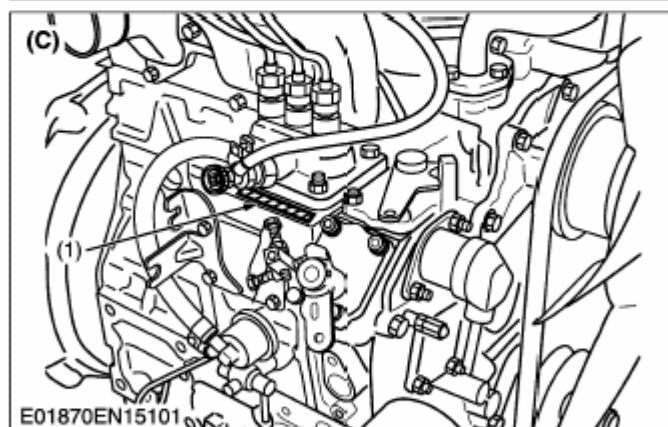
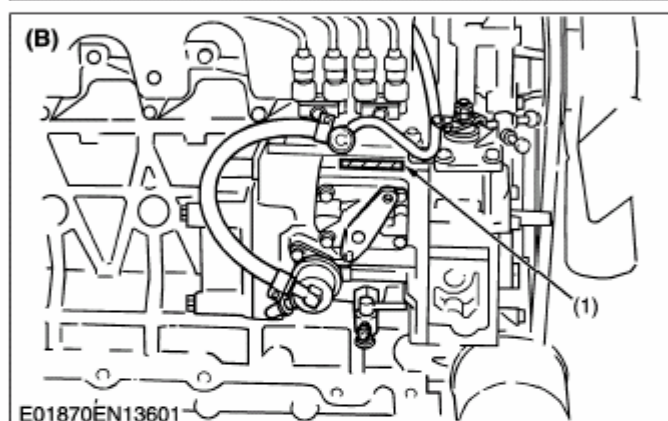
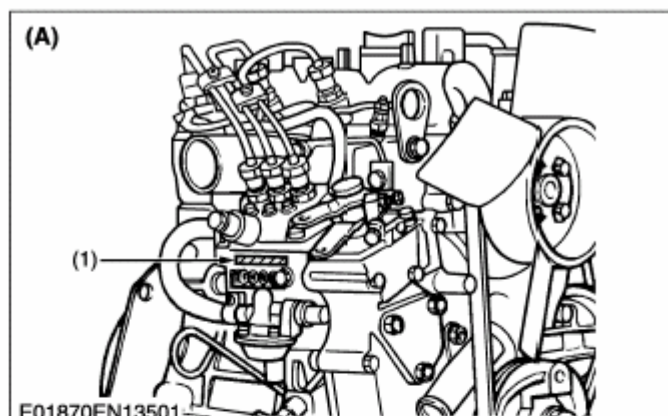


## [2] ENGINE MODEL IDENTIFICATION



The alpha numeric model number of each Kubota diesel engine has a definite meaning. Each letter and number provides some technical information about the engine.

The first alpha letter (E, Z, D, V, F, S) used in Kubota model number designates the number of cylinders in the engine. This method of naming comes from the German numbering system.

Alpha Letter	Number of Cylinders	Alpha Letter	Number of Cylinders
E	1	V	4
Z	2	F	5
D	3	S	6

The numerical portion of the model number denotes the approximate engine cubic centimeter displacement.

### ■ Engine Serial Number

The engine serial number is an identified number for the engine. It is marked after the engine model number.

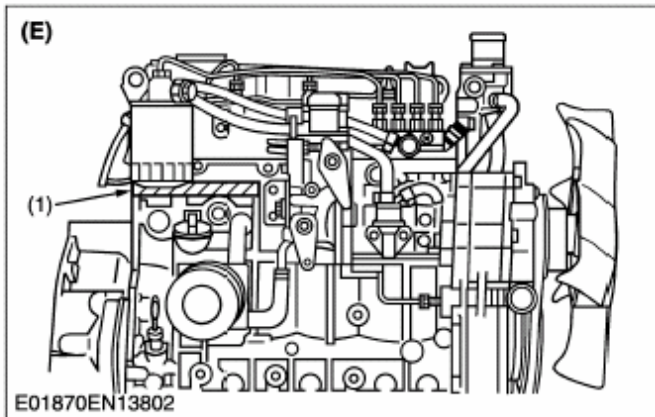
New serial number has been applied since January, 1998.

It indicates month and year of manufacture as follows.

#### • Year of manufacture

Alphabet or Number	Year	Alphabet or Number	Year
W	1998	F	2015
X	1999	G	2016
Y	2000	H	2017
1	2001	J	2018
2	2002	K	2019
3	2003	L	2020
4	2004	M	2021
5	2005	N	2022
6	2006	P	2023
7	2007	R	2024
8	2008	S	2025
9	2009	T	2026
A	2010	V	2027
B	2011	W	2028
C	2012	X	2029
D	2013	Y	2030
E	2014	1	2031

W10108560



• **Month of manufacture**

Month	Engine Serial Number	
	0001 ~ 9999	10000 ~
January	A0001 ~ A9999	B0001 ~
February	C0001 ~ C9999	D0001 ~
March	E0001 ~ E9999	F0001 ~
April	G0001 ~ G9999	H0001 ~
May	J0001 ~ J9999	K0001 ~
June	L0001 ~ L9999	M0001 ~
July	N0001 ~ N9999	P0001 ~
August	Q0001 ~ Q9999	R0001 ~
September	S0001 ~ S9999	T0001 ~
October	U0001 ~ U9999	V0001 ~
November	W0001 ~ W9999	X0001 ~
December	Y0001 ~ Y9999	Z0001 ~

e.g. : D722-YA0001

"D" indicates three cylinders and "722" indicates approx. 720 cc.

"Y" indicates 2000 and "A" indicates January.

So, YA indicates that the engine was manufactured on January, 2000.

- (1) Engine Model Identification
- (A) New Super Mini Series
  - (B) 03 Series
  - (C) 03-M Series
  - (D) 05 Series
  - (E) V3300

W11091150